

**SINGER**  
**110W124,W125**

HISTORICAL COPY

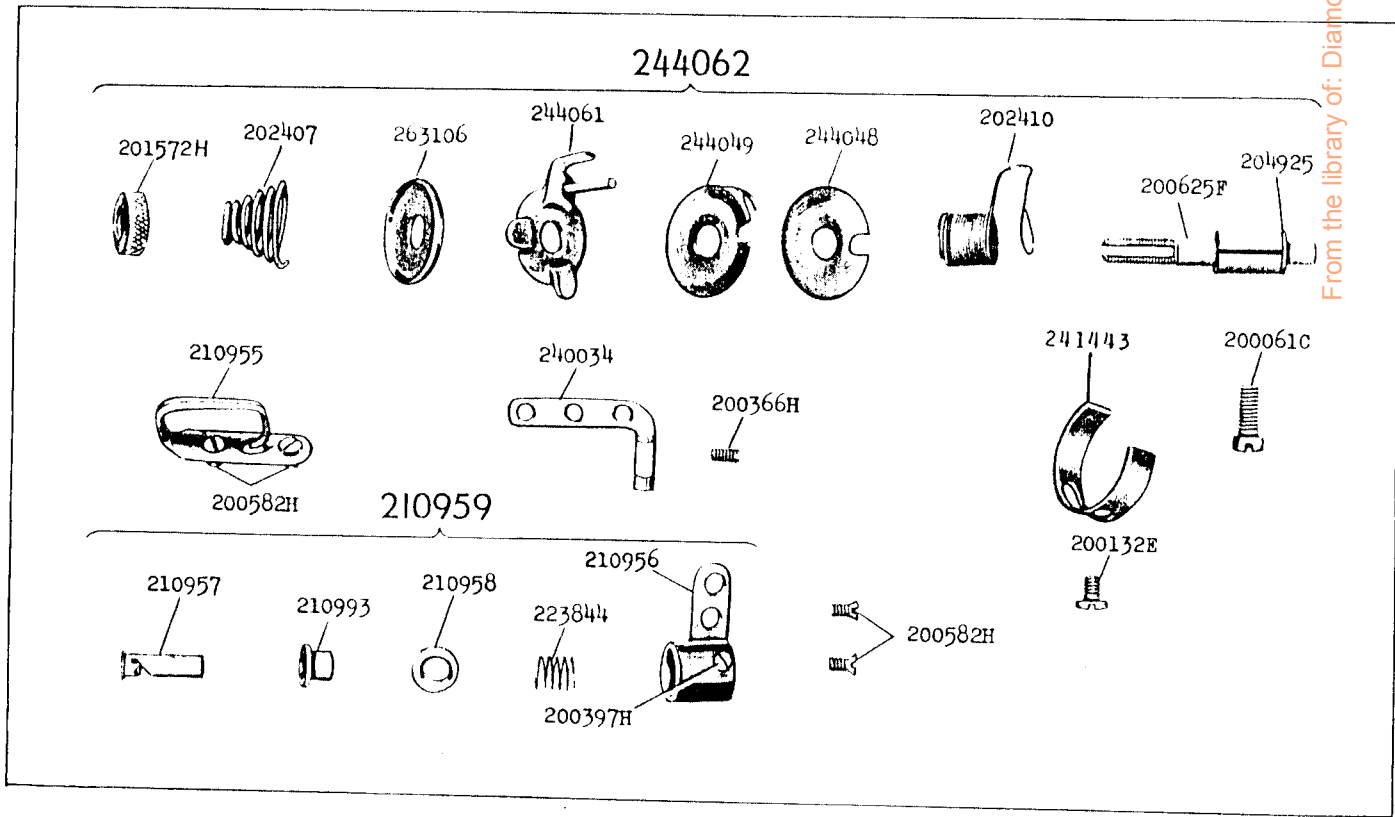
# LIST OF PARTS

HISTORICAL COPY

From the library of: Diamond Needle Corp

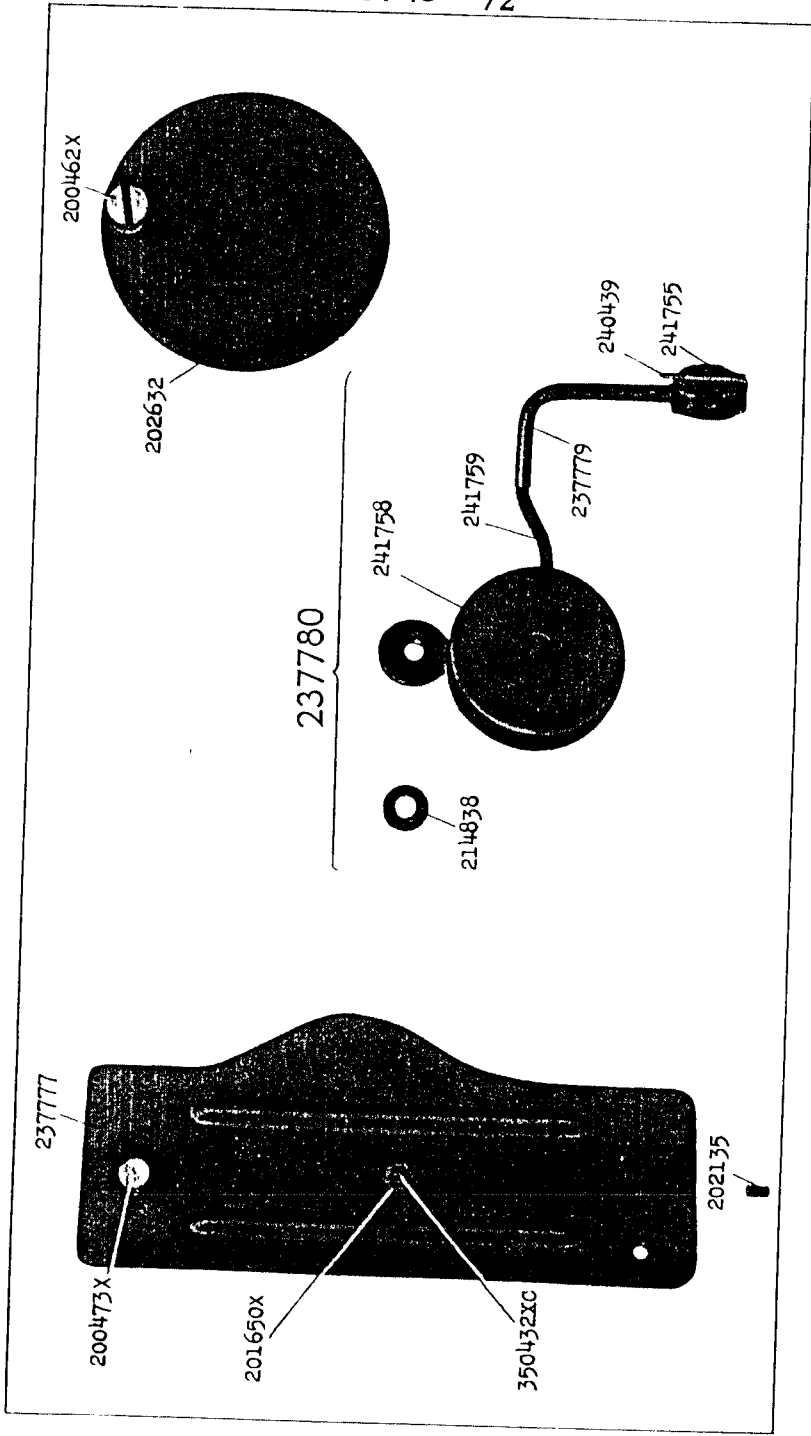
**SINGER\*\***  
MACHINES  
Nos. 110w124 and 110w125

THE SINGER COMPANY

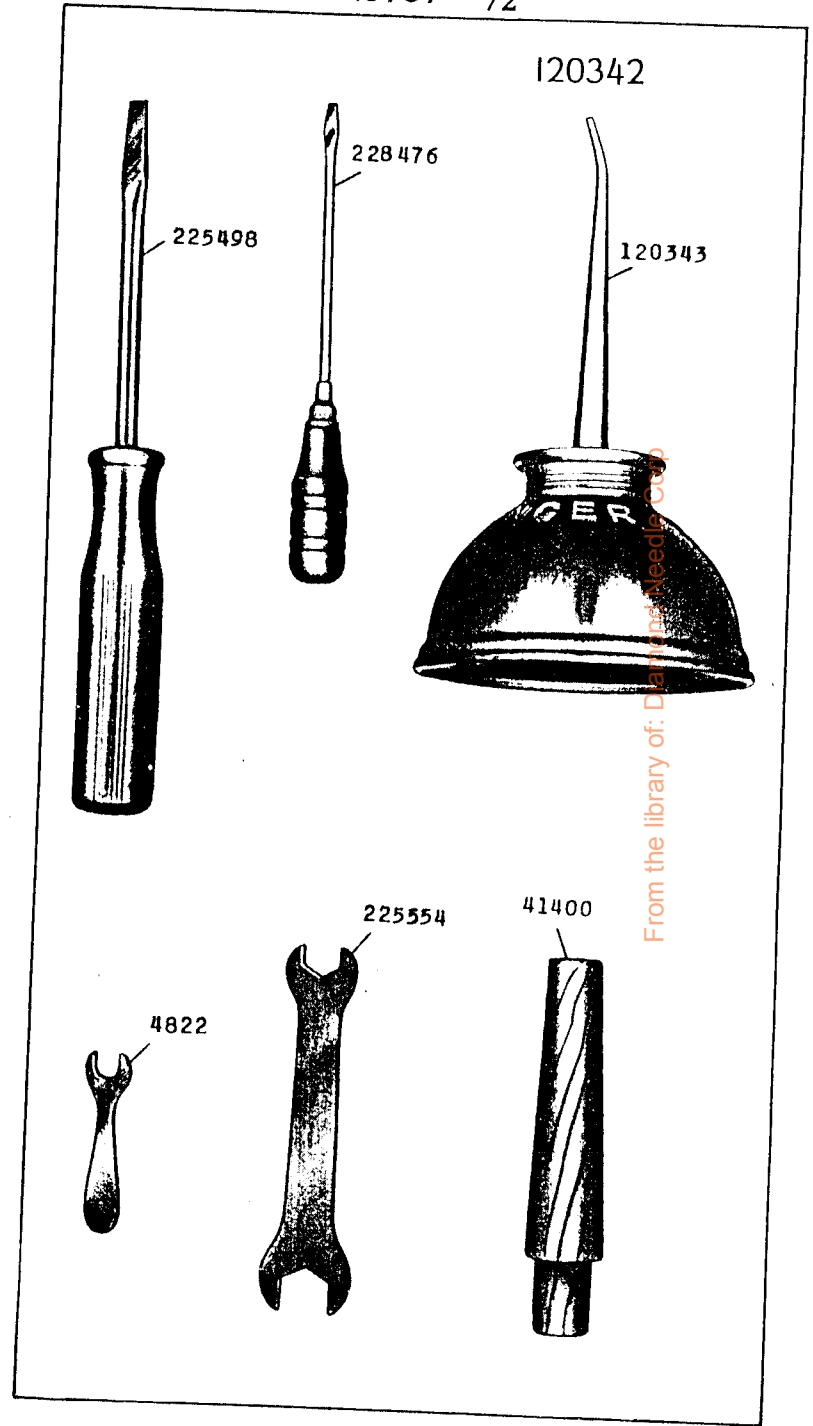


From the library of: Diamond Needle Corp

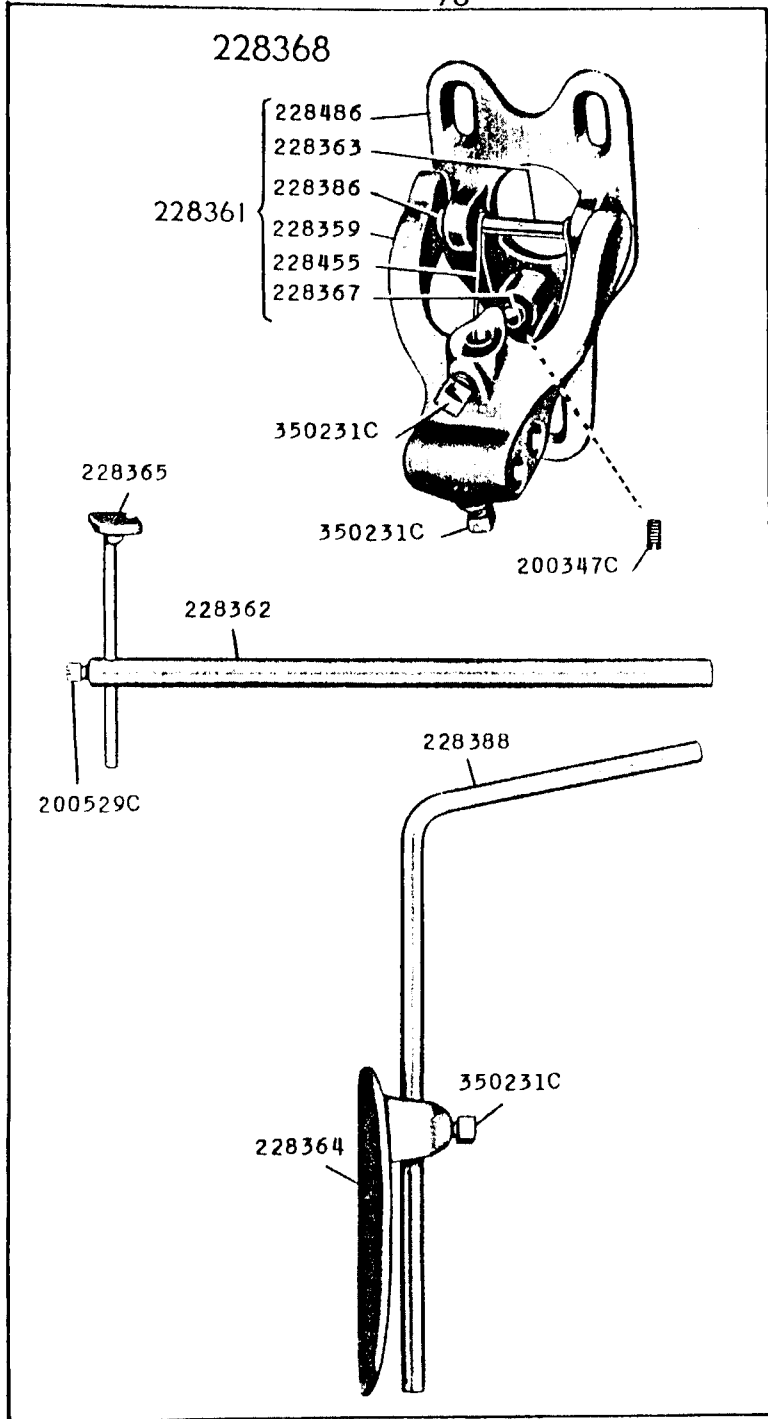
15745 - 1/2



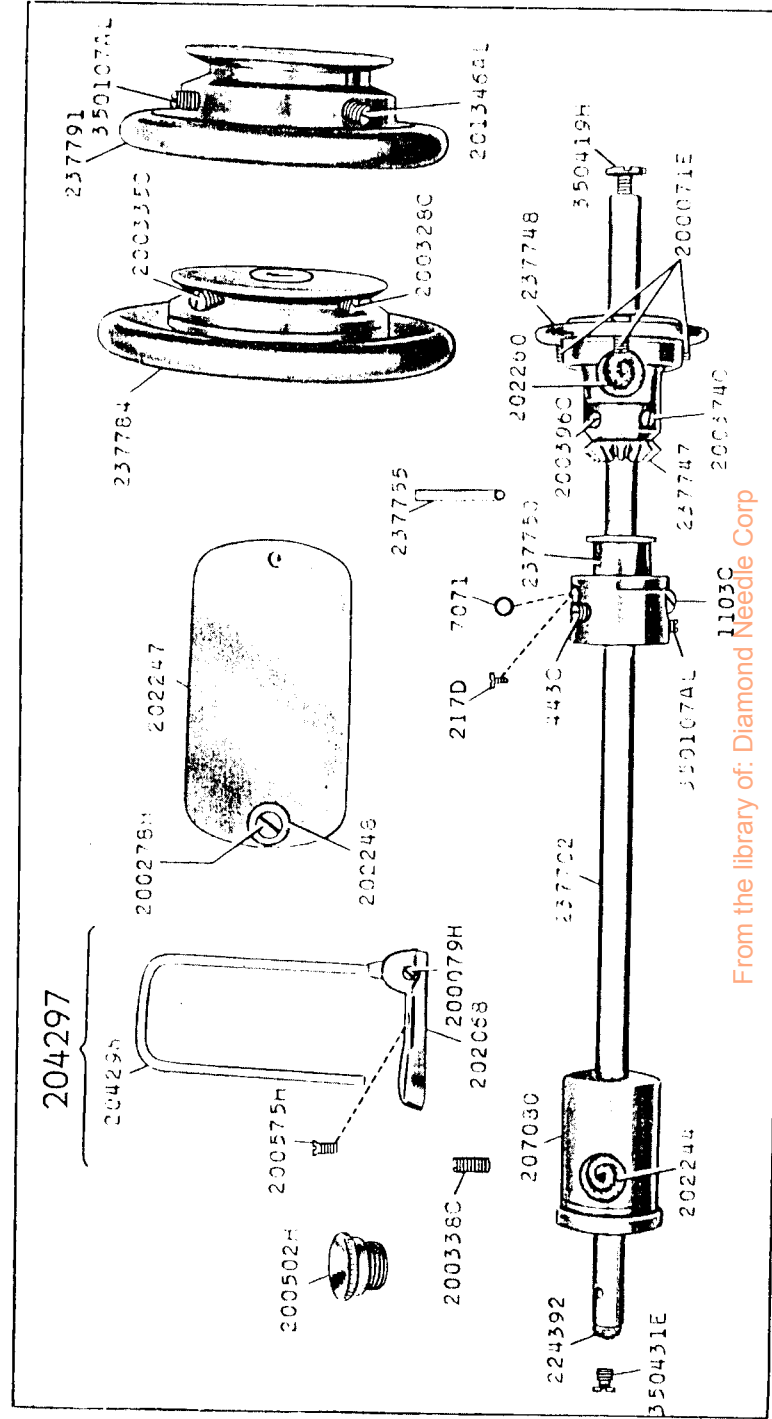
15757 - 1/2



16643 - 3/8



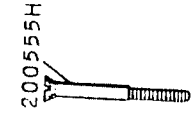
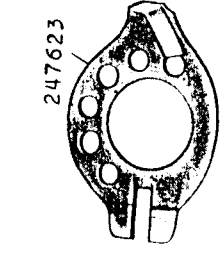
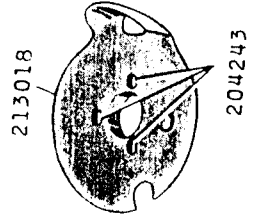
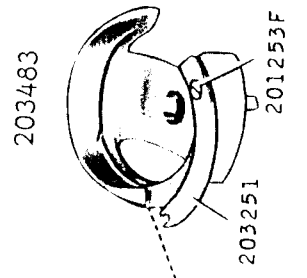
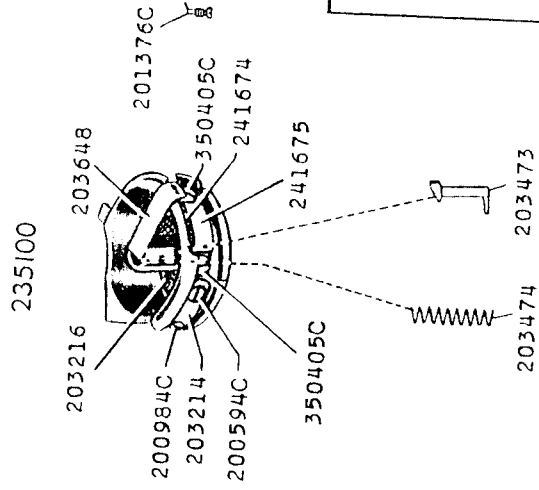
16763 - 3/8



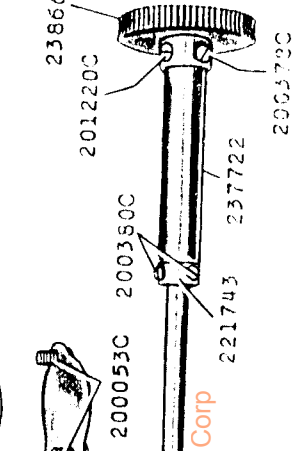
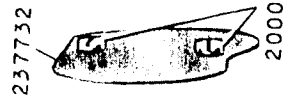
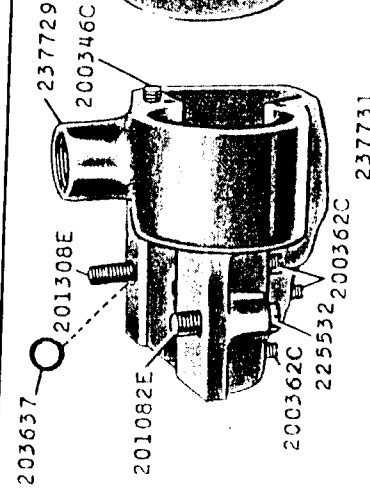
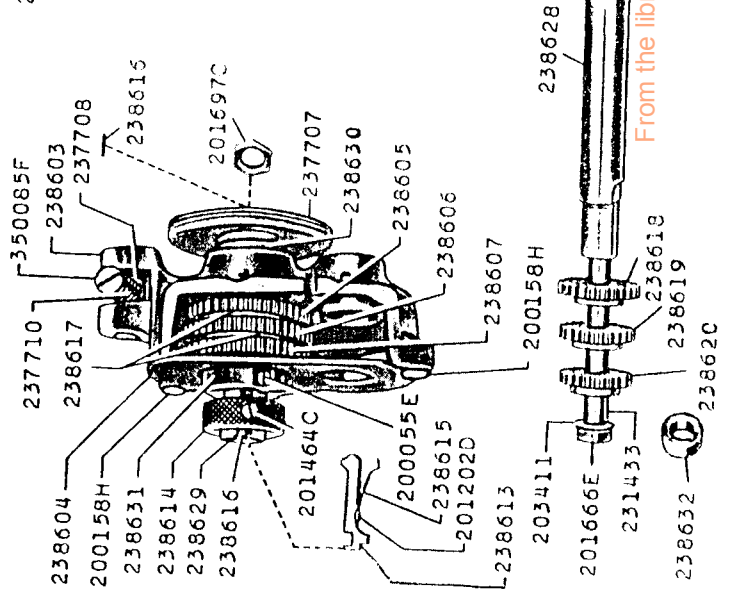
From the library of: Diamond Needle Corp

16764 - 3/4

237790

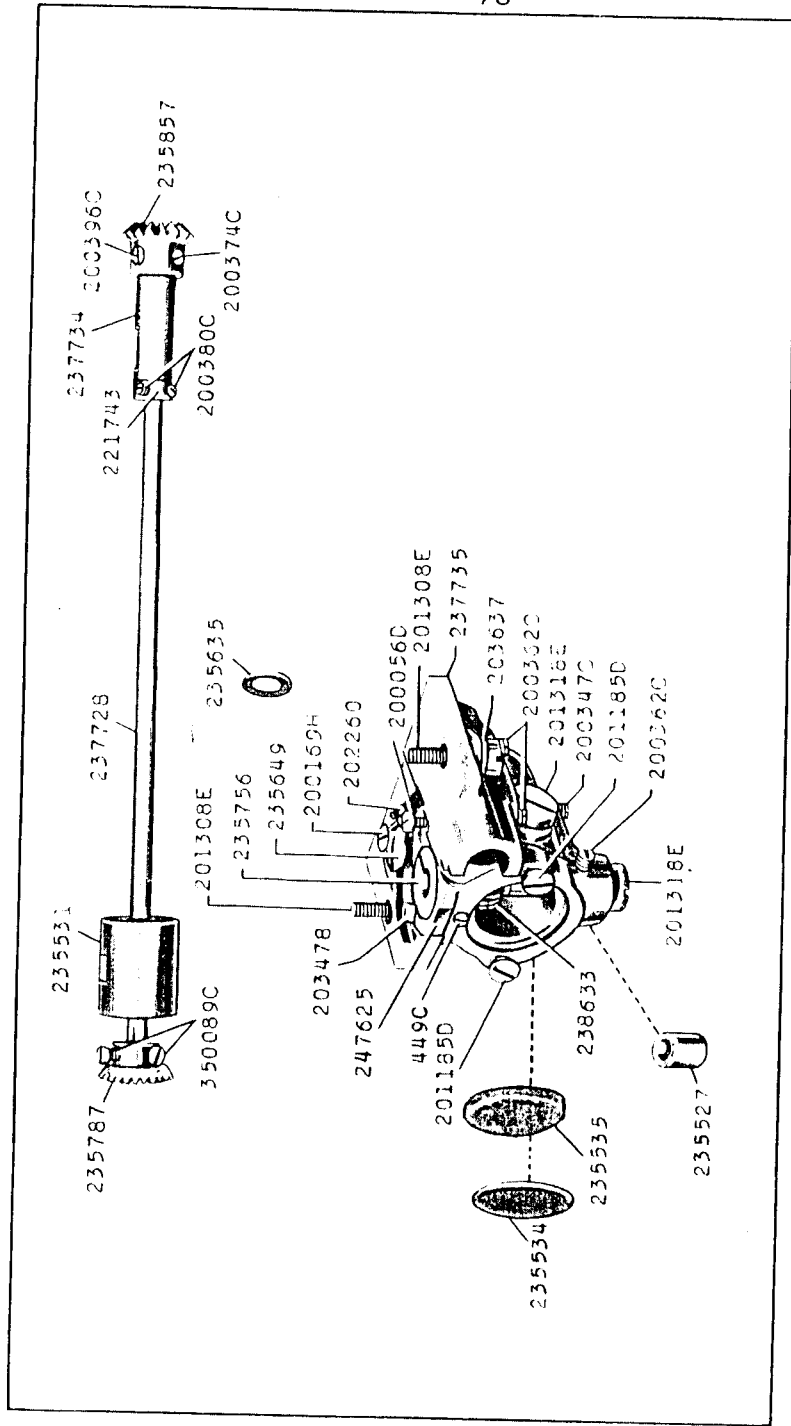


16765 - 3/8

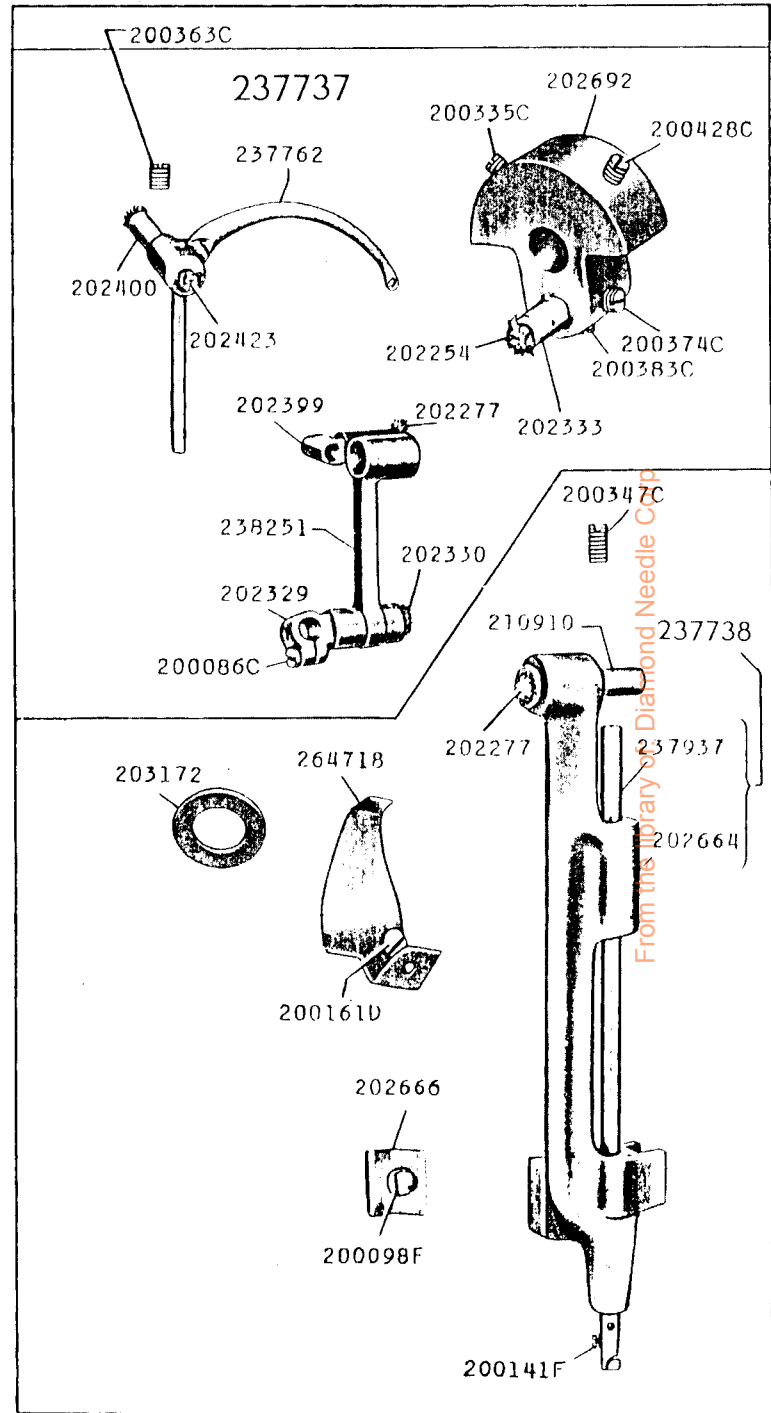


From the library of: Diamond Needle Corp

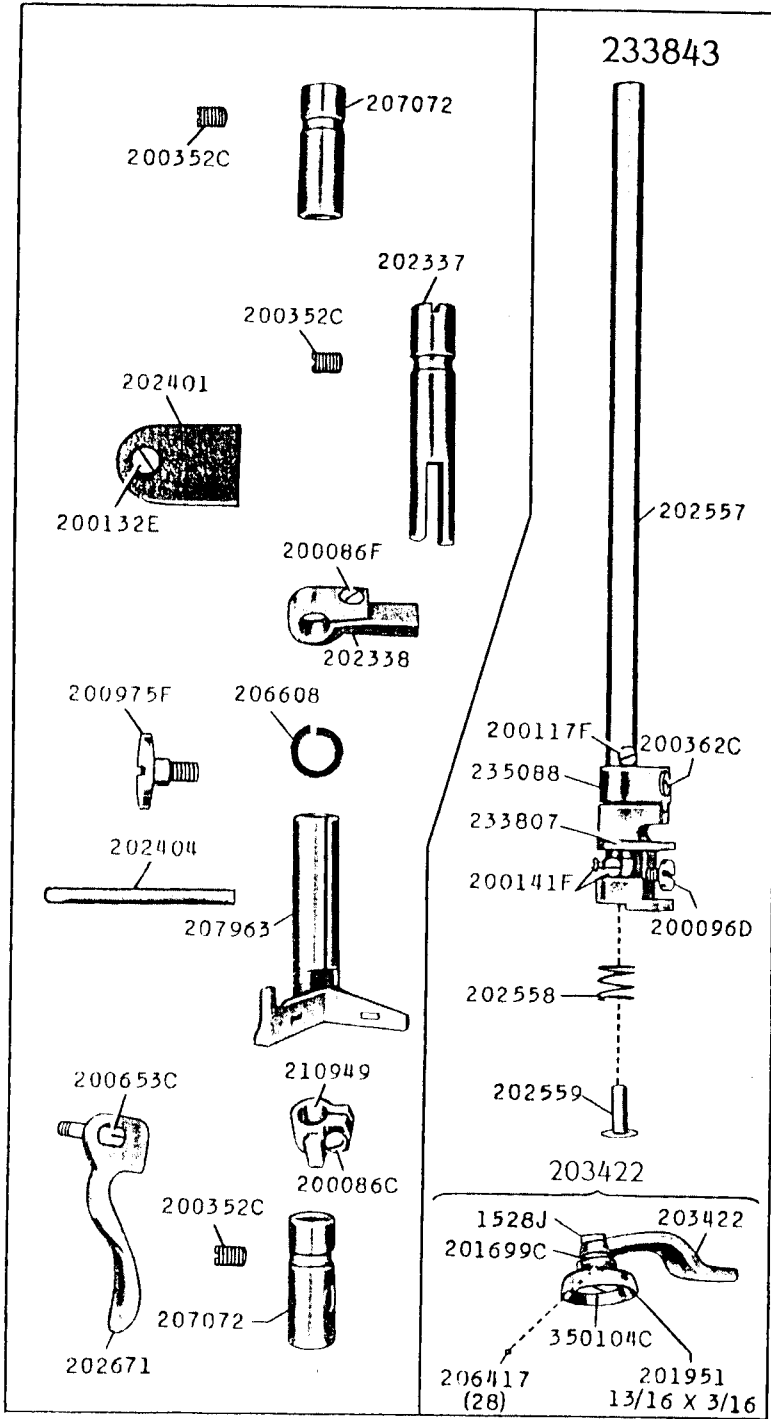
16766 - 3/8



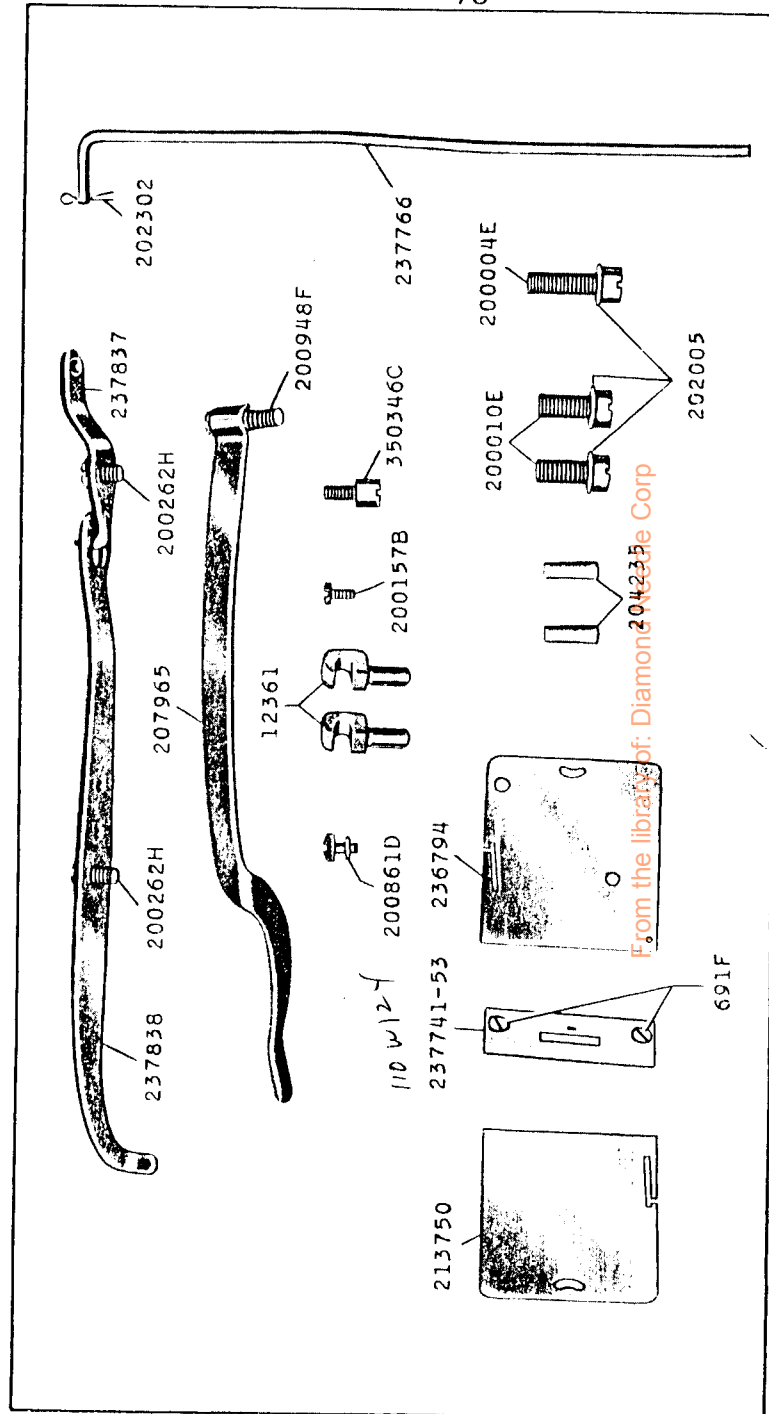
16767 - 1/2



16768 - 1/2

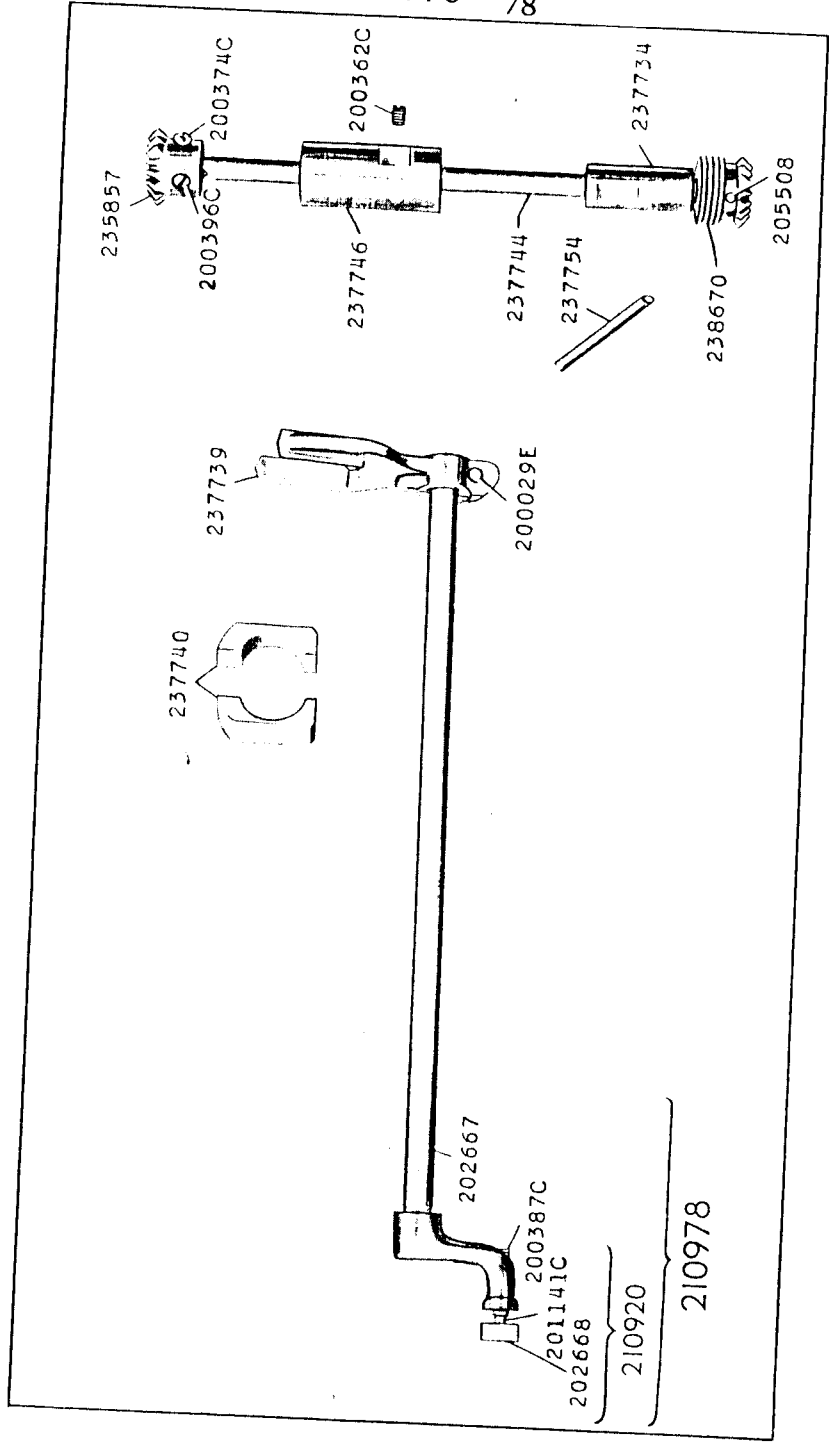


16769 - 3/8

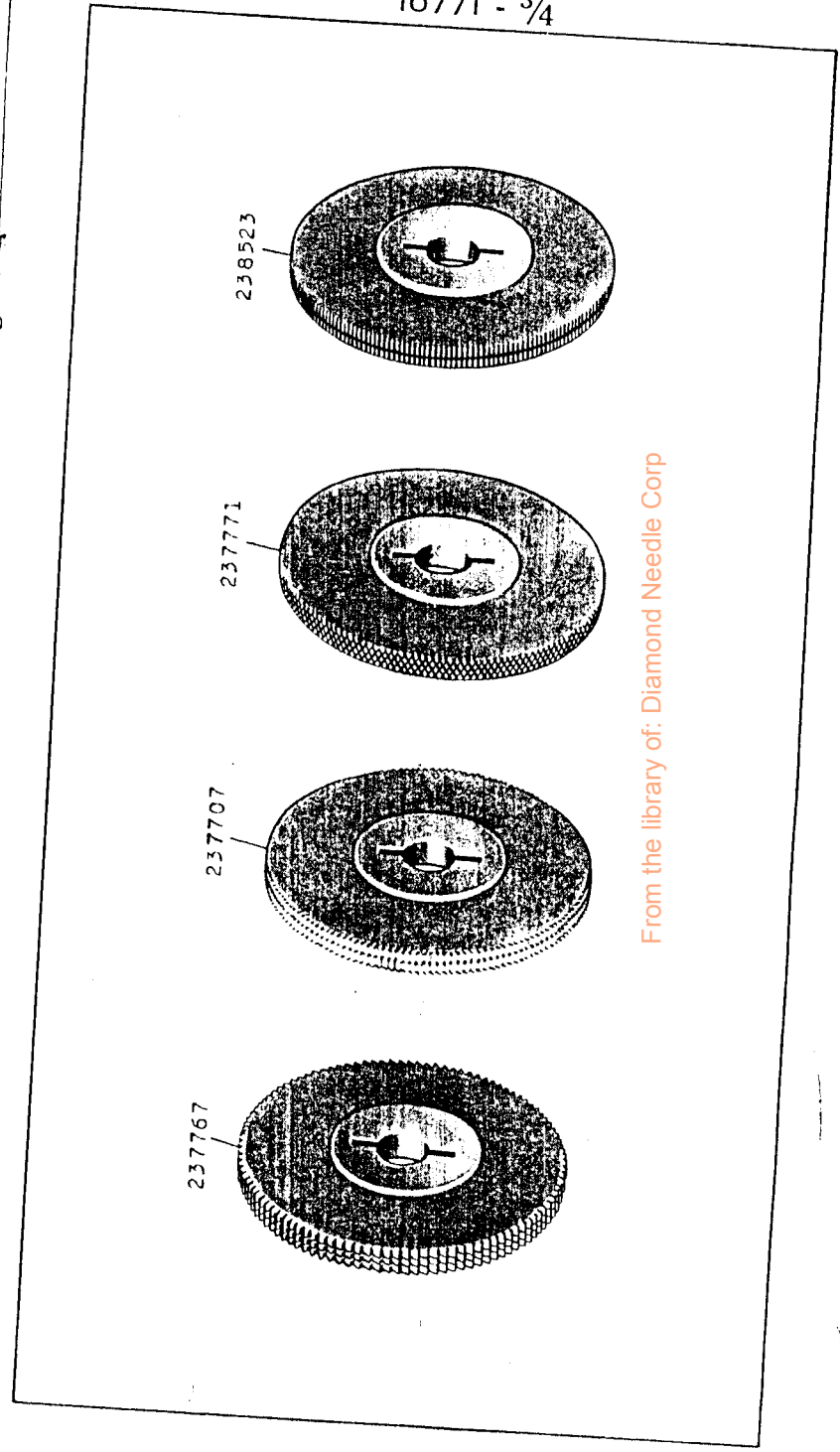




16770 - 3/8



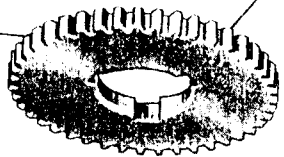
16771 - 3/4



From the library of: Diamond Needle Corp

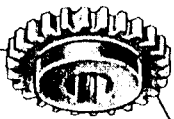
16772 - 7/8

238641-12  
238642-14  
238605-16  
238606-18  
238607-20  
238608-21  
238609-22  
238610-24  
238611-25  
238651-27  
238612-29

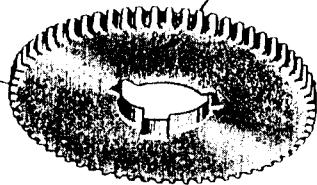


24=1"

238655-12  
238656-14  
238618-16  
238619-18  
238620-20  
238621-21  
238622-22  
238623-24  
238624-25  
238655-27  
238625-29



238643-15  
238653-31  
238654-33



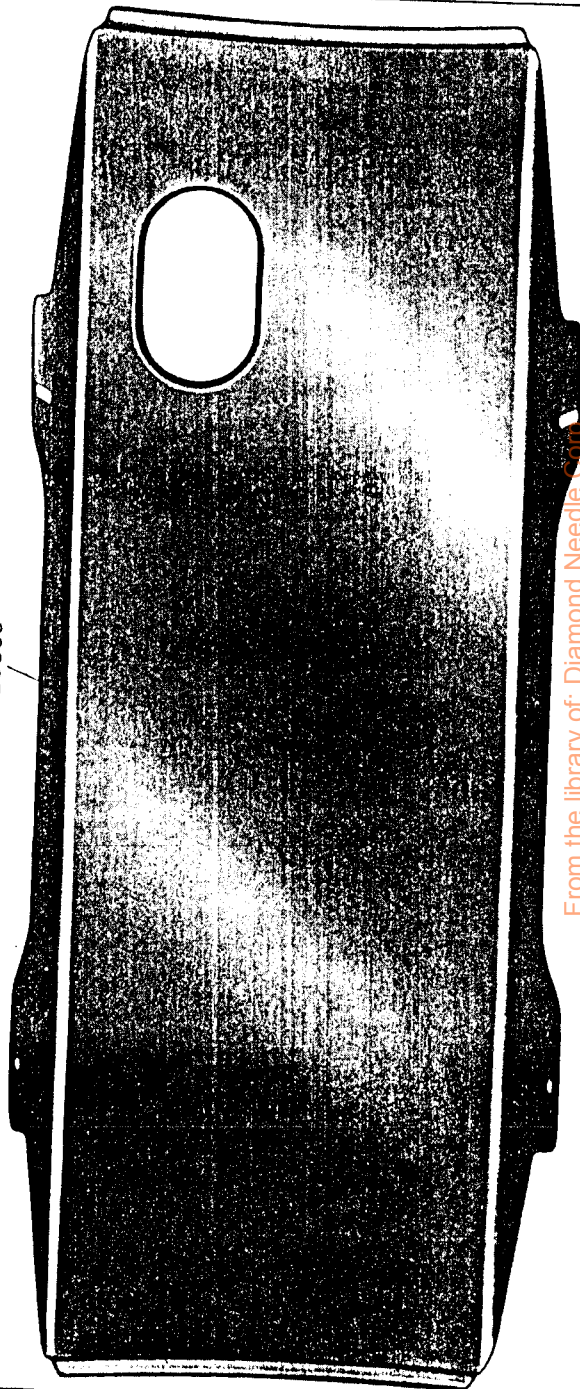
32=1"

238657-15  
238667-31  
238668-33



16773 - 3/8

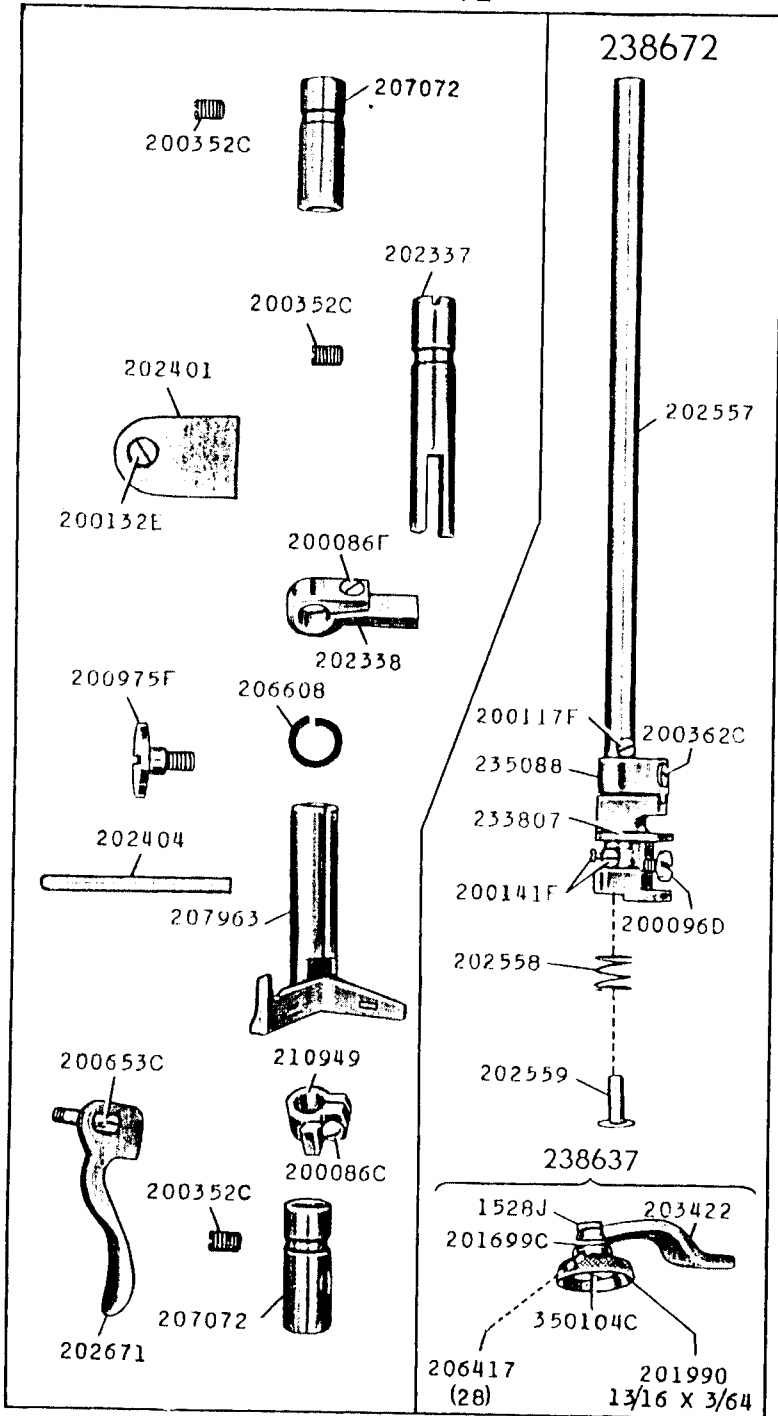
228288



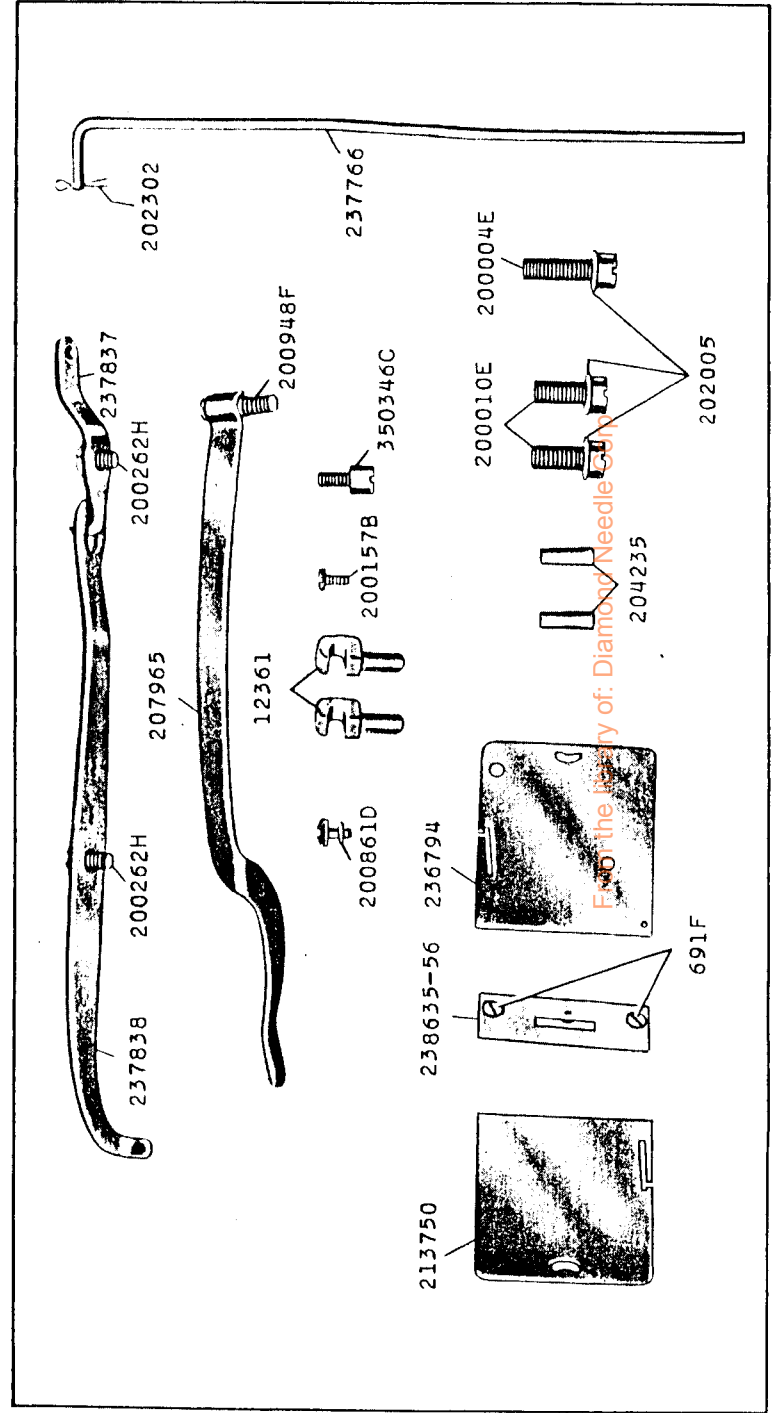
From the library of: Diamond Needle Corp.



16776 - 1/2

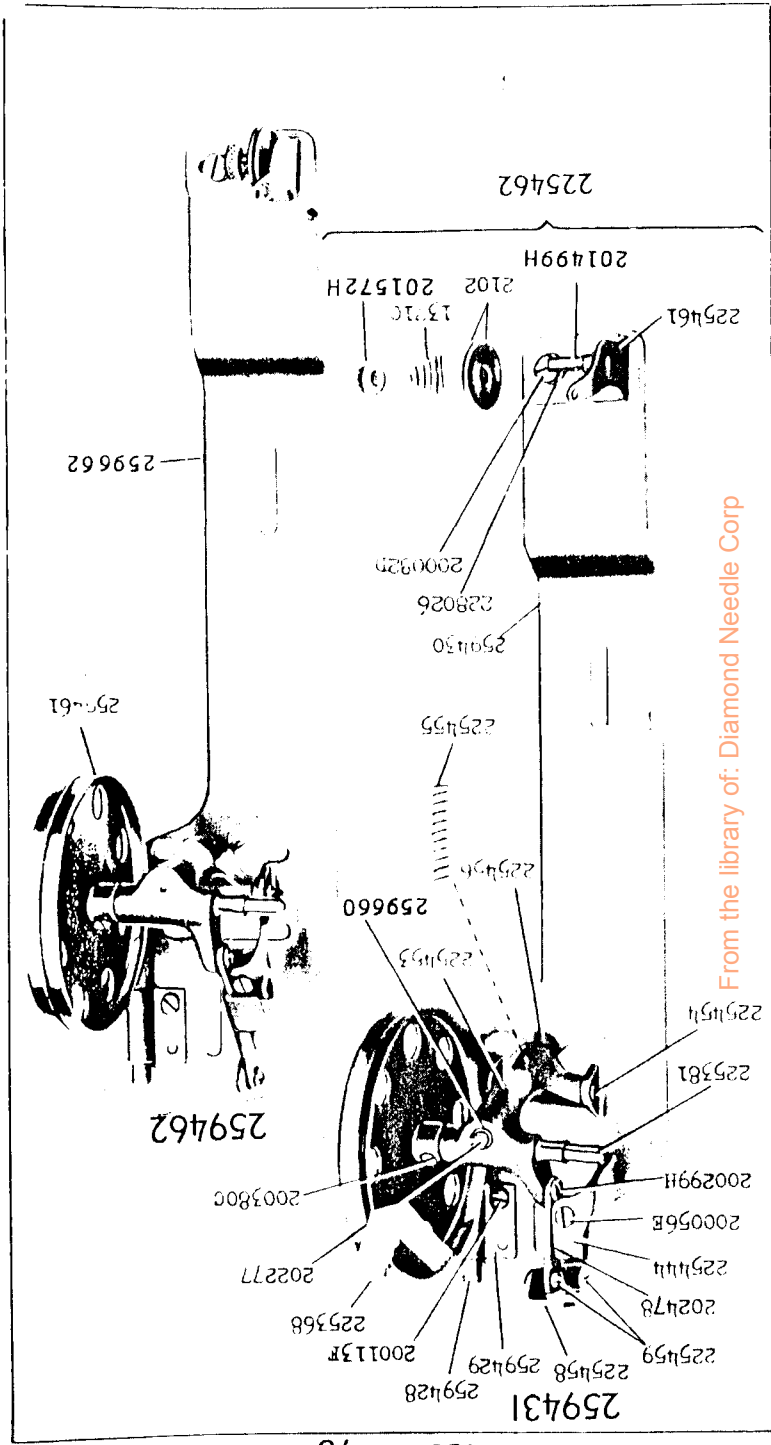


16777 - 3/8



72 112

18312 - 3/8



From the library of: Diamond Needle Corp